

Sensor-switched LED outdoor light

# GL 65 S

with motion detector  
EAN 4007841 069476  
Article number 069476



outdoor light

3000 K

3000K warm-white



infrared sensor  
180°



max. 8 m



IP44



IK03



2 - 2000 lux



5 sec - 15 min



soft light start



10% basic  
brightness

## Function description

The GL 65 S floor and path luminaires provide elegance around the house. Made of high-quality aluminium and a luminaire body made of opal glass, they are a perfect match for the L 605 S wall luminaire and our L 620 CAM SC camera sensor luminaire. In the sensor version, it reliably detects any movement at 180° with a range of 8 m. With an elegant soft light start, the GL 65 S provides pleasant and safe lighting for driveways and paths. Also available without sensor.

## Technical specifications

With lamp	Yes, LED lamp	Reach, tangential	r = 8 m (101 m <sup>2</sup> )
Manufacturer's Warranty	3 years	Photo-cell controller	Yes
Settings via	Potentiometers	Luminous flux total product	575 lm
With remote control	No	Measured luminous flux (360°)	575 lm
Version	with motion detector	Total product efficiency	66 lm/W
PU1, EAN	4007841069476	Colour temperature	3000 K
Application, place	Outdoors	Lamp	LED cannot be replaced
Application, room	outdoors, garden, front door, courtyard & driveway, all round the building	Service life LED L70B50 (25°)	> 36000 h
Colour	Anthracite	LED cooling system	Passive Thermo Control
includes sheet of self-adhesive numbers	No	Soft light start	Yes
Installation site	Stand mounted	Functions	Motions sensor, Potentiometer
Impact resistance	IK03	Twilight setting	10 – 2000 lx
IP-rating	IP44	Time setting	5 s – 15 Min.
Protection class	I	Basic light level function	Yes
		Main light adjustable	No
		Twilight setting TEACH	No

<https://www.steinel.de>

Subject to technical modifications

04.2025 Page 1 from 3

# GL 65 S

with motion detector  
EAN 4007841 069476  
Article number 069476



## Technical specifications

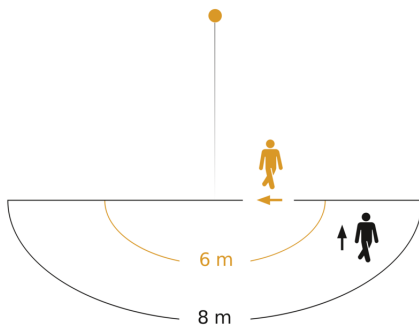
Ambient temperature	from -20 up to 40 °C
Housing material	Aluminium
Cover material	Glass opal
Mains power supply	220 – 240 V / 50 – 60 Hz
Output	8,7 W
Average rated life expectancy of power supply unit at 25°C	> 36000 h
Sneak-by guard	No
Electronic scalability	No
Mechanical scalability	Yes
Reach, radial	r = 6 m (57 m <sup>2</sup> )

Interconnection	No
Basic light level function in per cent	10 %
Basic light level function percentage, from	10 %
Basic light level function percentage, up to	10 %
Colour Rendering Index CRI	= 80
Detection angle	180 °
Product category	Sensor-switched LED outdoor light

# GL 65 S

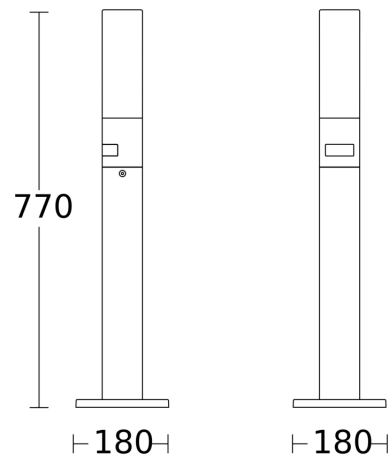
with motion detector  
EAN 4007841 069476  
Article number 069476

## Detection Zone

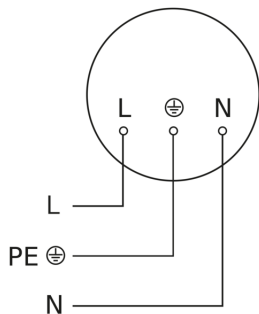


Possible mounting height: -  
Orange: radial  
Black: tangential

## Dimension Drawing



## Circuit diagram



## Circuit diagram

